

Fire Alarm Bell (Motor Driven)

FIRE
ALARM
SYSTEMS



**6" Bell
HC-624B**



**8" Bell
HC-824B**



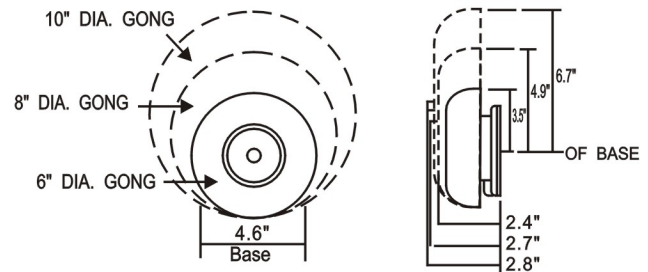
**10" Bell
HC-1024B**

Features

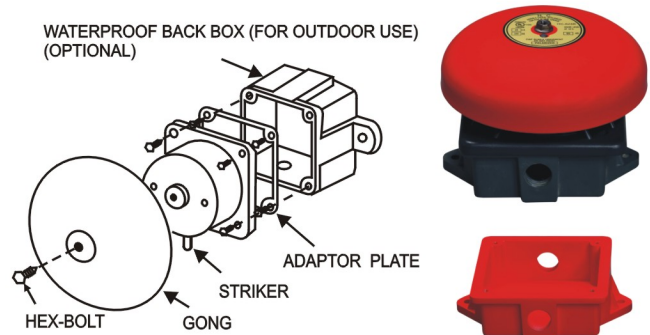
1. Approved
2. High dBA Sounds Output
3. Low Power Consumption
4. Available in 6" , 8" , 10" Housing
5. Quickly and Easily Installed

Installation Note

1. Remove bell gong by loosening hex bolt.
2. Wire bell in circuit.(Notice Polarity)
3. Mount bell mechanism on 4" square standard outlet box with the striker facing down.
4. Replace the gong and tighten hex bolt.



WATERPROOF BACK BOX (FOR OUTDOOR USE)
(OPTIONAL)



5. The bell must be mounted a minimum of 8ft above the floor, or as close to the ceiling as possible.
6. Polarized bell provides Red(-) and Black(-) lead wires. When you install the bell, must observe the polarity.

Specifications

Model	HC-624B	HC-824B	HC-1024B
Gong Size	6 inch	8 inch	10 inch
Voltage	24VDC	24VDC	24VDC
Current	20mA	20mA	20mA
Sound Level	95dB at 10ft	83dB at 10ft	85dB at 10ft